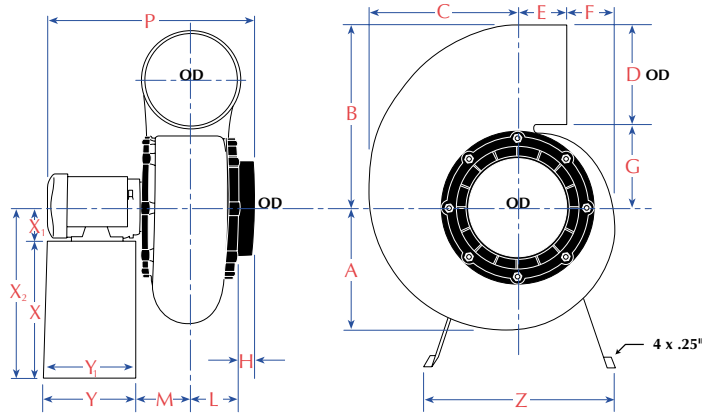
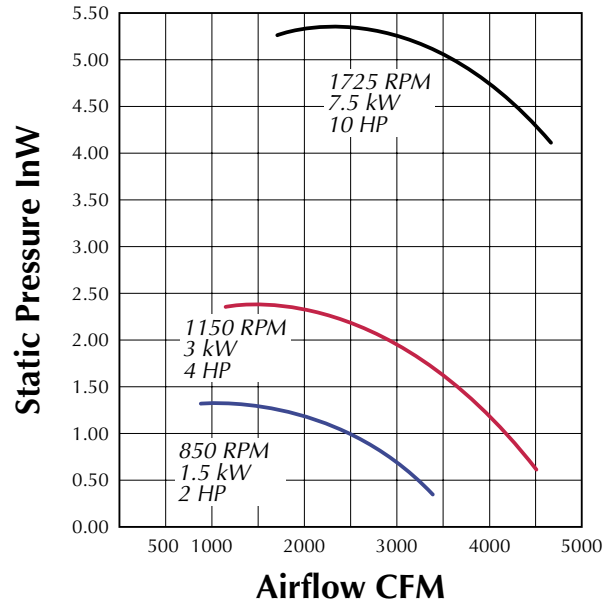




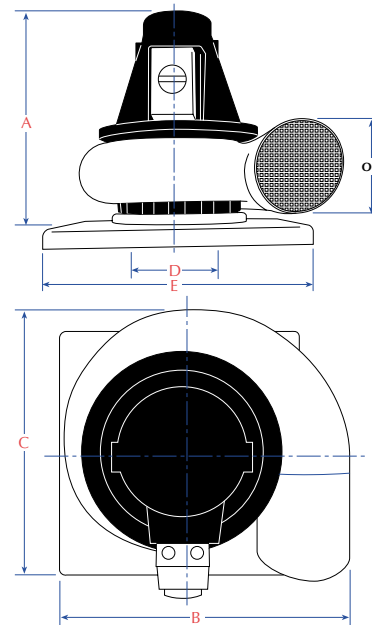
# Performance & Dimensions

## Plastec 35 Utility Blower

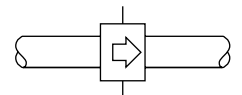
### Plastec 35



### Dimensional Data Roof Unit



- A 34.65
  - B 37.40
  - C 33.46
  - D 12.75
  - E 27.56 x 27.56 (inside)
- All dimensions in inches



Noise Level  
(Ducted inlet/outlet)  
Measured at 5 feet.

| R.P.M. | LWA<br>dB (A) |
|--------|---------------|
| 850    | 64            |
| 1150   | 71            |
| 1725   | 82            |

### Dimensional Data

|                          |         |                      |
|--------------------------|---------|----------------------|
| A 14.57                  | F 6.69  | Y 13.78              |
| B 22.44                  | G 10.04 | Y <sub>1</sub> 12.36 |
| C 17.72                  | H 2.36  | Z 23.62              |
| D 12.75                  | L 5.91  | X 18.43              |
| E 5.12                   | M 6.69  | X <sub>1</sub> 4.41  |
| All dimensions in inches | P 28.50 | X <sub>2</sub> 22.83 |

Wheel Diameter 14.37"

Dimensions for P, X, and X<sub>2</sub> will vary depending upon motor selection.

For **Weather Protection** see accessory Weather Hood Enclosed Pedestal pictured at right.



Plastec 35  
with Roof Unit Kit